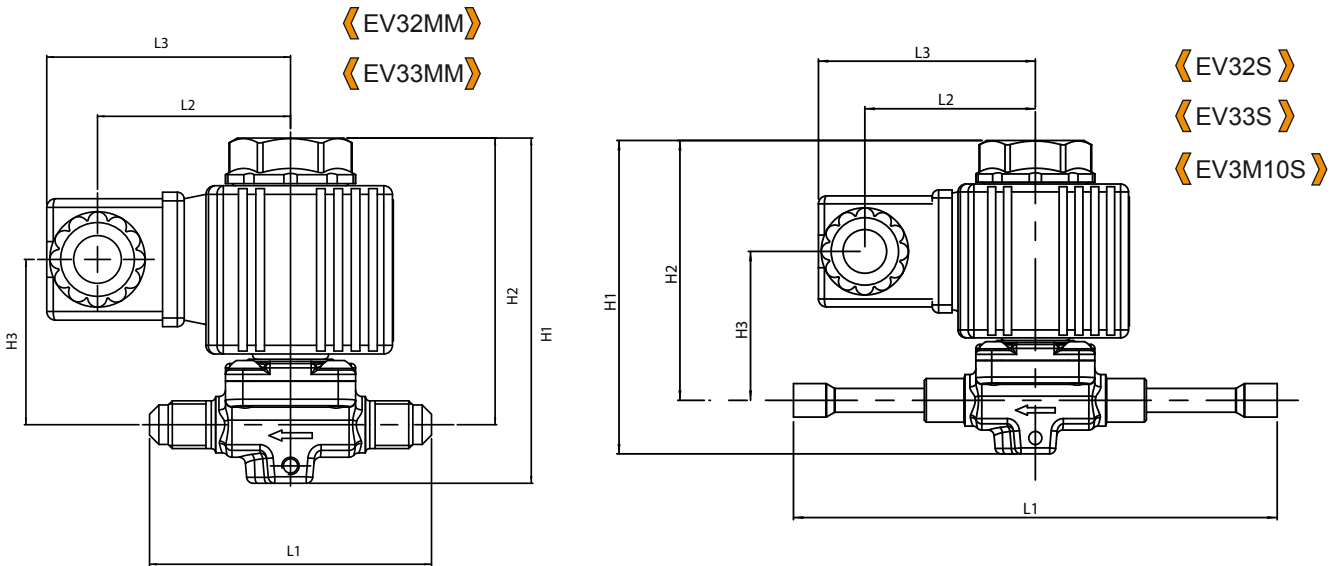


# SOLENOID VALVES normally closed



## dimensions and technical description

Type	Connections			Nominal seat size Ø [mm]	Kv [m³/h]	working principle	Operating Differential ΔP [bar]			TS [°C]		PS [bar]	Dimensions [mm]							Category 97/23/CE PED	
	SAE Flare	ODS					min OPD	MOPD		min	max		H <sub>1</sub>	H <sub>2</sub>	H <sub>3</sub>	L <sub>1</sub>	L <sub>2</sub>	L <sub>3</sub>	Screw		
		[in.]	[mm]					9 W A.C.	20 W D.C.												
EV32MM	1/4"	-	-	3,3	0,26	Direct operation	0	-	-	-	-	-	79	66	39	122	-	-	-	M4	Art. 3.3
EV33MM	3/8"	-	-																		
EV32S	-	1/4"	-																		
EV33S	-	3/8"	-	10	1,65	Diaphragm pilot operating	0,05	25	18	-35	105	45	87	71	43	145	46	58	-	M5	Art. 3.3
EV3M10S	-	-	10																		
EV103MM	3/8"	-	-																		
EV103S	-	3/8"	-	12	2,50	Diaphragm pilot operating	0,05	-	-	-	-	-	100	80	53	190	-	-	-	M6	Art. 3.3
EV10M10S	-	-	10																		
EV104MM	1/2"	-	-																		
EV104S	-	1/2"	-	22	6,00	Diaphragm pilot operating	0,05	-	-	-	-	-	100	80	53	200	-	-	-	M6	Art. 3.3
EV10M12S	-	-	12																		
EV125MM	5/8"	-	-																		
EV125S	-	5/8"	-	22	6,00	Diaphragm pilot operating	0,05	-	-	-	-	-	100	80	53	220	-	-	-	M6	Art. 3.3
EV127S	-	7/8"	-																		
EV226S	-	3/4"	-																		
EV227S	-	7/8"	-	22	6,00	Diaphragm pilot operating	0,05	-	-	-	-	-	100	80	53	220	-	-	-	M6	Art. 3.3
EV229S	-	1.1/8"	-																		



**APPLICATIONS:** Solenoid valves are suitable for fluids of Group II, as defined in Article 9, Section 2.2 of Directive 97/23/EC, therefore not toxic, not inflammable and not explosive fluids; to this macro Group II belongs, also, the refrigerant fluids listed and classified L1 in Annex E of standard EN 378-1:2011 and are listed on annex E of mentioned standard.

**CONSTRUCTION:** The body and the cover are manufactured by hot-forged brass EN 12420 -CW617N and the welding connections (for ODS type), are made by copper tube EN 12735-1-Cu-DHP. The spring of plunger are made of austenitic stainless steel AISI 302 and the enclosure of the armature is made of austenitic stainless steel AISI 305 - 1.4303; The ferritic stainless steel AISI 430F of armature, the chloroprene gasket between body and cover and the EPDM O-rings disposed under and over the coil, ensure an effective protection of the valve from oxidant agents.

Type	REFRIGERATION FLOW CAPACITY kW											
	Liquid				Vapour				Hot Gas			
	R134a	R22 R410A	R404A R507	R407C	R134a	R22 R410A	R404A R507	R407C	R134a	R22 R410A	R404A R507	R407C
EV32MM												
EV33MM												
EV32S	4,81	5,20	3,37	4,89	-	-	-	-	2,41	1,93	1,93	2,34
EV33S												
EV3M10S												
EV103MM												
EV103S	30,66	33,17	23,19	31,19	3,73	2,69	3,39	3,44	15,20	12,07	12,42	14,75
EV10M10S												
EV104MM												
EV104S	40,87	44,23	30,92	41,58	4,98	3,59	4,52	4,59	20,26	16,09	16,56	19,66
EV10M12S												
EV125MM												
EV125S	46,44	50,29	35,10	47,27	5,67	4,04	5,10	5,22	23,08	18,27	18,85	22,38
EV127S												
EV226S												
EV227S	110,23	120,87	84,41	113,00	9,56	13,72	12,04	12,50	43,29	55,05	44,62	53,49
EV229S												

Refrigerant flow capacity referred to the following operating conditions::

Evaporating temperature: -10°C

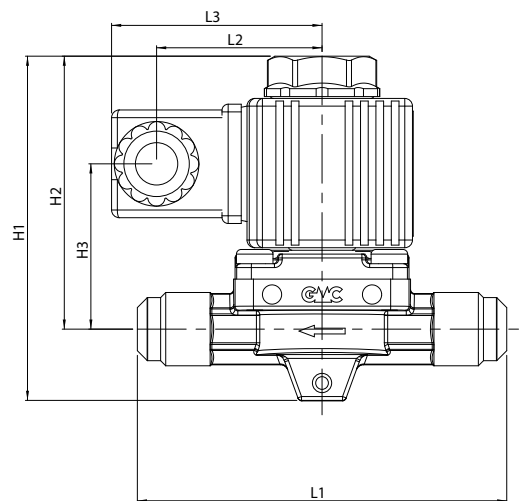
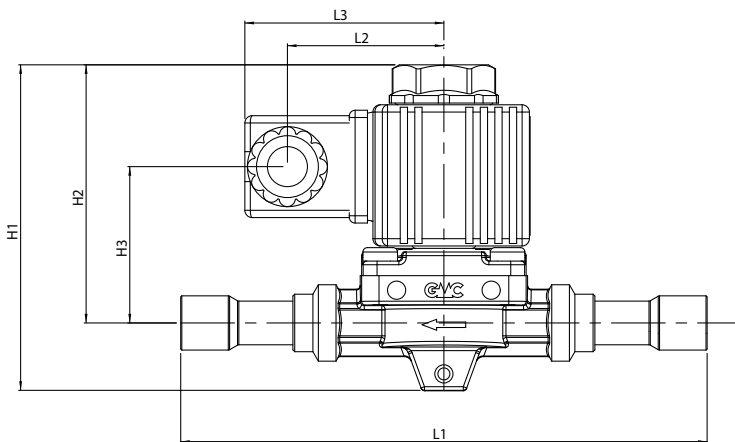
Upstream liquid temperature +25°C

Pressure drop  $\Delta p=0,15$  bar

For hot gas:

Condensing temperature +40

Pressure drop  $\Delta p=0,8$  bar



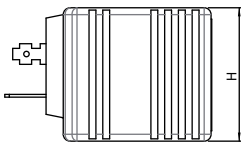
- 《EV103S》
- 《EV125S》
- 《EV229S》
- 《EV10M10S》
- 《EV127S》
- 《EV104S》
- 《EV226S》
- 《EV10M12S》
- 《EV227S》

- 《EV103MM》
- 《EV104MM》
- 《EV125MM》

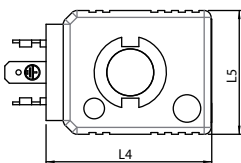
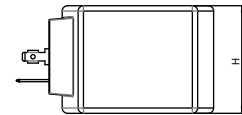
Type	Voltage [V]	Voltage tolerance [%]	Frequency [Hz]	Connections	Protection degree	Consumptions at 20°C at working [mA] (50Hz for AC)	Dimensions [mm]		
							L4	L5	H
KMA2	24 AC	±10	50/60	Connection DIN43650	IP65 <sup>(1)</sup> EN60529	971	48	36	39
KMA4	110 AC					150			
KMA6	220/230 AC	+6/-10				87			
KMA7	240 AC	±10				89			
KMD2	12 DC	+10	-			1900	62	63	39
KMD4	24 DC					950			
KMD6	48 DC					479			
KMD8	110 DC					209			

(1)The protection degree is guaranteed only with complete system of coil+connector and suitable sealing (including in the pack) as EN60529.

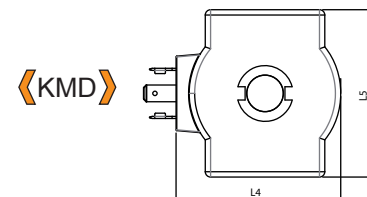
**DESCRIZIONE:** The GMC coils series KMA are suitable for applying AC power and coils series KMD are for DC power supplying application. These coils could be used only for normally closed Solenoid-valves. The terminals of coils are including an earth connection faston plus two faston line connections in order to be adapted for DIN43650 connector .



**ELECTRIC APPROVAL STANDARD:**  
All coils are manufactured according to Low Voltage Directives EC 73/23 and EMC Directives 2004/108/CE



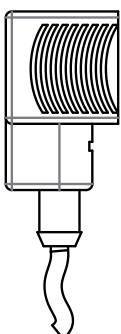
《KMA》



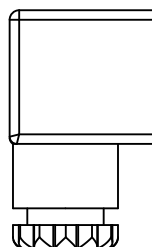
《KMD》

## CONNECTORS

《JB with cable》



《JB without cable》



Type	Pg	Cable length [m]	Cable type	Protection degree
JB9/11	9 / 11	-	-	IP65 (mounted)
JB100	-	1	PVC H05VVF	IP67
JB200	-	2		