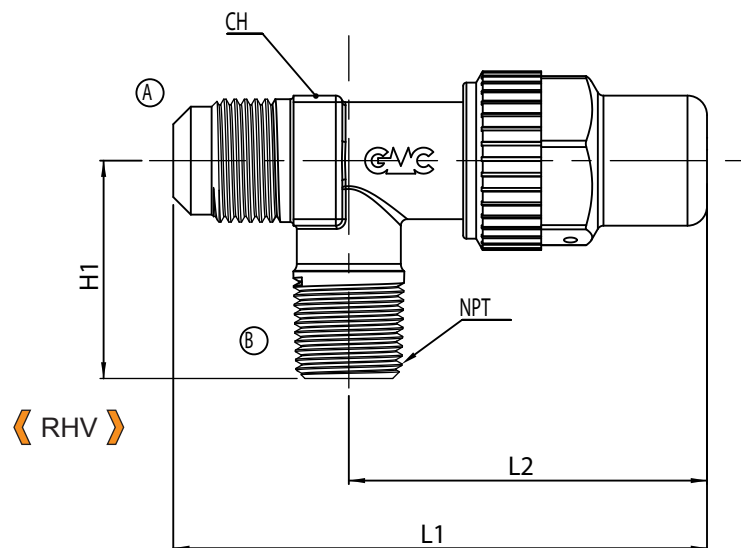
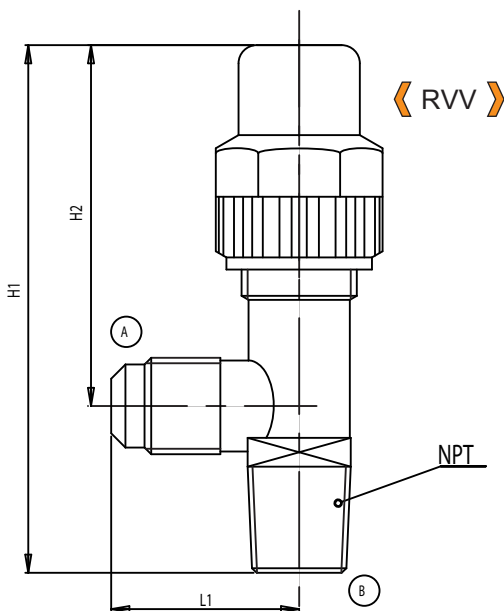


## RVV - RHV series

### dimensions and technical description

Type		Connections		Kv [m <sup>3</sup> /h]	TS [°C]		PS [bar]	Dimensions [mm]					Category 97/23/CE PED	Weight [g]	Pieces per box	
		SAE Flare (A)	NPT (B)		min	max		H <sub>1</sub>	H <sub>2</sub>	L <sub>1</sub>	L <sub>2</sub>	CH				
RVV2-2	VERTICAL VALVES	1/4"	1/4"	0,44	- 60	130	45	78	54	25,5	-	18	Art. 3.3	110	85	
RVV2-3		1/4"	3/8"	0,45				88		27,5					145	85
RVV3-2		3/8"	1/4"	1,35				86	61	31				21	145	85
RVV3-3		3/8"	3/8"					88		-					150	85
RVV4-3		1/2"	3/8"	2,40				106							250	45
RVV4-4		1/2"	1/2"	3,40				108	71	36				24	250	45
RVV5-4		5/8"	1/2"												255	45
RHV2-2	HORIZONTAL VALVES	1/4"	1/4"	0,44				26		78	54,5	18		110	85	
RHV2-3		1/4"	3/8"	0,45				31		86	61	21		145	85	
RHV3-3		3/8"	3/8"	1,35						-				150	85	
RHV4-3		1/2"	3/8"	2,40						106				250	45	
RHV4-4		1/2"	1/2"	3,40				36		108	71	24		250	45	
RHV5-4		5/8"	1/2"											255	45	



**APPLICATIONS:** They are designed for installation on commercial refrigerating systems and on civil and industrial conditioning plants, which use fluids Group II, as defined in Article 9, Section 2.2 of Directive 97/23/EC, therefore not toxic, not inflammable and not explosive fluids; Also the refrigerant fluids listed and classified L1 in Annex E of standard EN 378-1:2008 belong to this Group.

**CONSTRUCTION:** The body is manufactured by hot-forged brass UNI EN 12420 - CW617N and the spindle is made by zinc galvanized surfaces steel. In the receiver valves, in order to prevent leakages towards the outside, are used gaskets composed of sintered graphite.