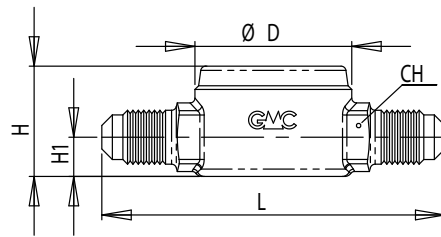


Type and connections	SAE Flare	ODS Ø		ODM Ø		for pipe Ø		TS [°C]	PS [bar]	Dimensions [mm]					Category 97/23/CE PED	Weight [g]	Pieces per box
		[in.]	[mm]	[in.]	[mm]	[in.]	[mm]			ØD	L	H	H1	CH			
MI2MM	1/4"	-	-	-	-	-	-	-30 ÷ 80	45	32	70	22,5	8	14	Art. 3.3	120	25
MI3MM	3/8"	-	-	-	-	-	-				75	29,5	12	22		190	25
MI4MM	1/2"	-	-	-	-	-	-				80	31,5	13	24		204	25
MI5MM	5/8"	-	-	-	-	-	-				88	35,5	15	28		255	25
MI6MM	3/4"	-	-	-	-	-	-				91	41,5	17,5	35		325	25
MI2MF	1/4"	-	-	-	-	-	-				70	29,5	12	22		209	25
MI3MF	3/8"	-	-	-	-	-	-				75	31,5	13	24		202	25
MI4MF	1/2"	-	-	-	-	-	-				80	35,5	15	28		235	25
MI5MF	5/8"	-	-	-	-	-	-				85	41,5	17,5	35		305	25
MI6MF	3/4"	-	-	-	-	-	-				94	22,5	8	14		471	25
MI2S	-	1/4"	-	-	-	-	-			125	29,5	12	22	126	50		
MI3S	-	3/8"	-	-	-	-	-			132	31,5	13	24	132	50		
MIM10S	-	-	10	-	-	-	-			145	37	-	-	133	50		
MIM12S	-	-	12	-	-	-	-							203	50		
MI4S	-	1/2"	-	-	-	-	-			155	41,5	17,5	35	205	50		
MI5S	-	5/8"	16	-	-	-	-							198	50		
MIM18S	-	-	18	-	-	-	-			183	41,5	17,5	35	235	50		
MI6S	-	3/4"	-	-	-	-	-							237	50		
MI7S	-	7/8"	22	-	-	-	-			155	35,5	15	28	309	42		
MI9S	-	1.1/8"	28	-	-	-	-			183	41,5	17,5	35	510	42		
MI11S	-	-	-	1.3/8"	35	-	-	160	33,5	-	-	275	26				
MI11ST	-	1.3/8"	35	-	-	-	-					283	26				
MI13S	-	-	-	1.5/8"	-	-	-	170	37	-	-	I	425	26			
MIM42S	-	-	-	-	42	-	-								-	-	
MI5T	-	-	-	-	-	5/8"	16	36	-	36	-	32	excluded	120	25		
MIM18T	-	-	-	-	-	-	18										
MI7T	-	-	-	-	-	7/8"	22										
MI9T	-	-	-	-	-	1.1/8"	28										
MI11T	-	-	-	-	-	1.3/8"	35										
MIM42T	-	-	-	-	-	1.5/8"	42										
MI17T	-	-	-	-	-	2.1/8"	54										

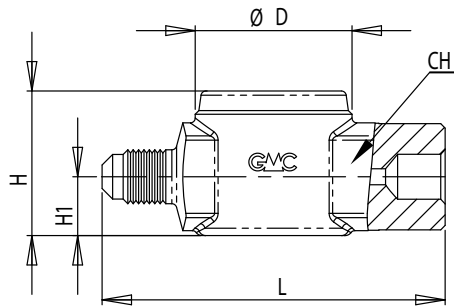
APPLICATIONS: All indicators product range is suitable for use with fluids proper to the Group II, as defined in Article 9, Section 2.2 of Directive 97/23/EC, therefore not toxic, not inflammable and not explosive fluids; to this macro Group II belongs also the refrigerant fluids listed and classified L1 in Annex E of standard EN 378-1:2008.

CONSTRUCTION: Moisture - liquid indicators are manufactured with the glass lens which has been directly embedded onto the hot forged brass body EN 12420 - CW 617N. This construction reduces the points of splice between components in order to hesitate possible refrigerant leaks.

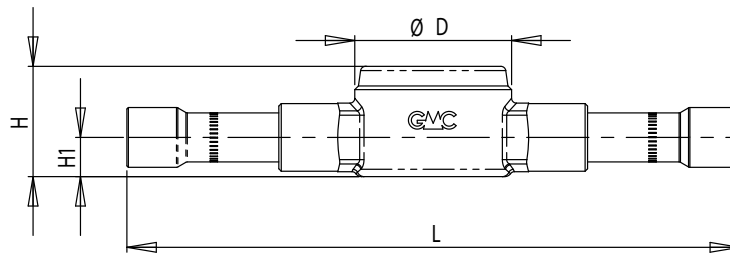




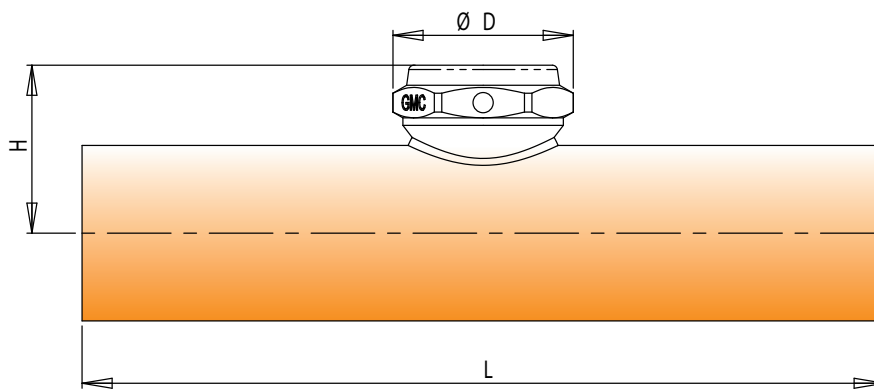
《MI...MM》



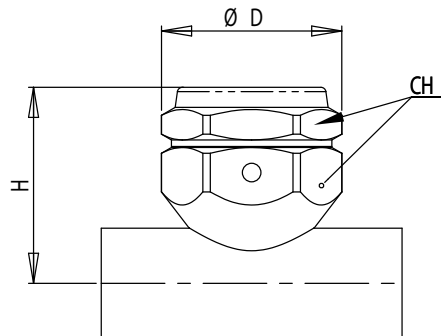
《MI...MF》



《MI...S》



《MI...S》



《MI...T》

Moisture content [ppm] - liquid phase						
Fluid	Liquid temperature: 25°C			Liquid temperature: 50°C		
	Green / Dry	Intermediate color	Yellow/ wet	Green / Dry	Intermediate color	Yellow/ wet
R22	< 30	30 - 120	> 120	< 60	60 - 240	> 240
R134a	< 30	30 - 100	> 100	< 55	55 - 180	> 180
R404A	< 20	20 - 70	> 70	< 30	30 - 120	> 120
R407C	< 30	30 - 110	> 110	< 60	60 - 240	> 240
R410A	< 30	30 - 150	> 150	< 60	60 - 300	> 300
R507	< 20	20 - 65	> 65	< 30	30 - 120	> 120

