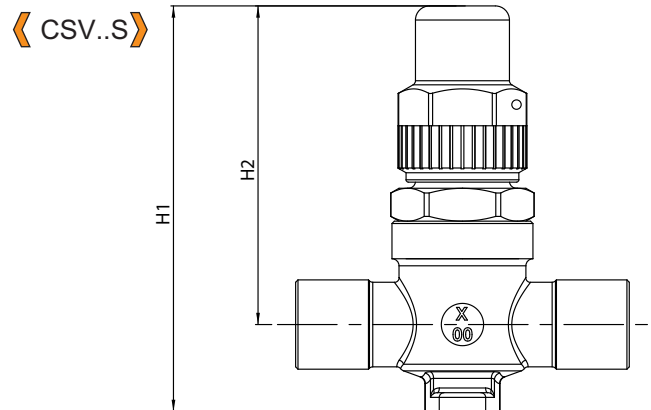
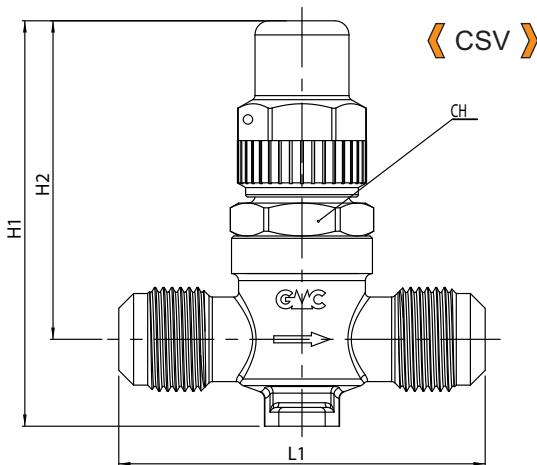


Type	Connections			Kv [m³/h]	TS [°C]		PS [bar]	Dimensions [mm]						Category 97/23/CE PED	Weight [g]	Pieces per box							
	SAE Flare	ODS			min	max		H ₁	H ₂	L ₁	d	I	CH										
		[in.]	[mm]																				
CSV2	1/4"	-	-	0,4	- 60	110	45	86	68	4,5	38	27	Art. 3.3	275	45								
CSV3	3/8"	-	-	1																			
CSV4	1/2"	-	-	1,5																			
CSV5	5/8"	-	-	1,7																			
CSV2S	-	1/4"	-	0,4																			
CSV3S	-	3/8"	-	1																			
CSV4S	-	1/2"	-	1,5																			
CSV5S	-	5/8"	-	1,7																			
CSV6S	-	3/4"	-	3,4												129	109	103	6	50	34	685	15
CSV7S	-	7/8"	-	3,4																			



APPLICATIONS: They are designed for installation on commercial refrigerating systems and on civil and industrial conditioning plants, which use fluids proper to the Group II, as defined in Article 9, Section 2.2 of Directive 97/23/EC, therefore not toxic, not inflammable and not explosive fluids; to this macro Group II belongs also the refrigerant fluids listed and classified L1 in Annex E of standard EN 378-1:2008.

CONSTRUCTIONS: The body is manufactured in hot-forged brass UNI EN 12420 - CW617N and the spindle is made in steel with zinc coated surface. In the cap shut-off valves are employed, in order to prevent leakages towards the outside, gaskets composed of aramide fibers (this material is resistant to the high temperatures and it has approvals of DIN-DVGW acc. to DIN 3535, part 6 FA) and gaskets composed of cloroprene rubber.

INSTALLATIONS: Read carefully the instruction of installation inserted in the package. For CSV_S types, disassemble the valve before brazing the body to the system: unscrew the spindle assembly acting on the hexagonal nut.

