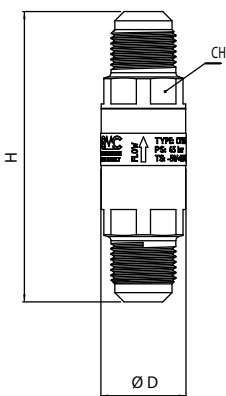


CHECK-VALVES

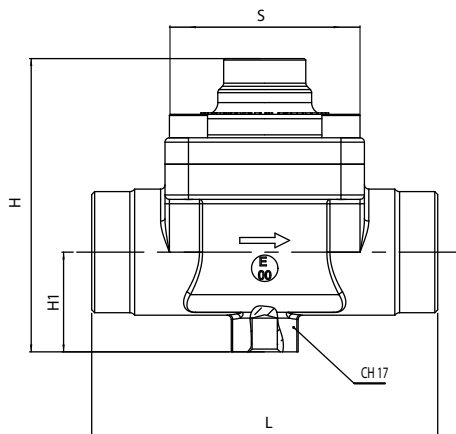


dimensions and technical description

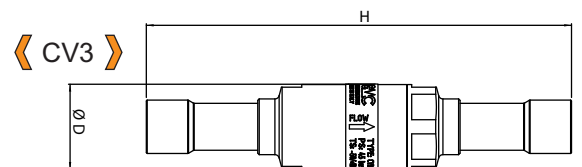
Type	Type of connections	Connections				Kv [m ³ /h]	Minimum Opening Pressure Differential [bar]	TS [°C]		PS [bar]	Dimensions [mm]						Category 97/23/CE PED	Weight [g]	Pieces per box		
		SAE Flare	ODS Ø		ODM Ø			min	max		CH	ØD	H	H1	L	S					
			[in.]	[mm]	[in.]															[mm]	
CV1/2	Flare	1/4"	-	-	-	0,55	0,07	-50	110	45	17	21	74	-	-	-	Art. 3.3	110	85		
CV1/3		3/8"	-	-	-	1,40					81	-	-	-	130	85					
CV1/4		1/2"	-	-	-	2,00					23	25	83	-	-	-		180	85		
CV1/5		5/8"	-	-	-	3,60					27	29	99	-	-	-		290	85		
CV1/6		3/4"	-	-	-	5,5					30	34	110	-	-	-		410	50		
CV2/M22		Directly to the body	-	-	22	1.1/8"					-	0,1	-35	160	45	-		-	84,5	28,5	100
CV2/7	-		7/8"	-	1.1/8"	-	6,6	1128	12												
CV2/M28	-		-	28	1.3/8"	35	8,8	1041	12												
CV2/9	-		1.1/8"	-	1.3/8"	35	8,8	1032	12												
CV2/11	-		1.3/8"	35	1.5/8"	-	15,2	1500	15												
CV2/13	-		1.5/8"	-	2"	-	25,0	-	-	125,5	37					141	88	Cat. I	3152	5	
CV2/M42	-		-	42	2"	-	40,0	4700	4												
CV2/17	-		2.1/8"	54	-	-	40,0	-	-										141	42	173
CV3/2	With solder connections		-	1/4"	-	-	0,55	0,07	-50	110	45					-	-		-	-	-
CV3/3		-	3/8"	-	-	1,40	-					21	128	-	-	-	125		50		
CV3/M10		-	-	10	-	-	2,00					-	25	131	-	-	182		50		
CV3/M12		-	-	12	-	-	2,00					-	25	131	-	-	182		50		
CV3/4		-	1/2"	-	-	-	3,60					-	29	145	-	-	254		50		
CV3/5		-	5/8"	16	-	-	3,60					-	34	145	-	-	350		42		
CV3/M18		-	-	18	-	-	3,60	-	34	145	-	-	350	50							
CV3/6		-	3/4"	-	-	-	5,5	-	34	152	-	-	350	50							
CV3/7		-	7/8"	22	-	-	5,5	-	34	166	-	-	400	42							
CV4/7		-	7/8"	22	-	-	6,6	0,1	-35	160	45	-	-	84,5	28,5	170	Art. 3.3	1236	15		
CV4/M28		-	-	28	-	-	8,8					-	-	84,5	28,5	200		60	1210	15	
CV4/9		-	1.1/8"	-	-	-	8,8					-	-	100	34	232		68	1211	15	
CV4/11		-	1.3/8"	35	-	-	15,2					-	-	100	34	232		68	1740	12	
CV4/13		-	1.5/8"	-	-	-	25,0					-	-	125,5	37	255		88	3530	1	
CV4/M42		-	-	42	-	-	25,0					-	-	125,5	37	255		88	3530		
CV4/17		-	2.1/8"	54	-	-	40,0	-	-	141	42	284	104	5250							
CV4/21		-	2.5/8"	-	-	-	40,0	-	-	141	42	284	104	5320							
CV4/25		-	3/1.8"	-	-	-	40,0	-	-	141	42	329	104	5960							



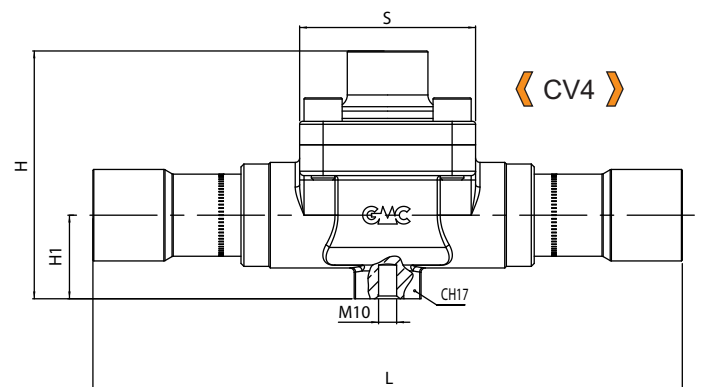
CV1



CV2



CV3



CV4

Type		Connections				Kv [m ³ /h]	Minimum Opening Pressure Differential [bar]	TS [°C]		PS [bar]	Dimensions [mm]						Category 97/23/CE PED	Weight [g]	Pieces per box		
		SAE Flare	ODS Ø		ODM Ø			min	max		CH	ØD	H	H1	L	S					
			[in.]	[mm]	[in.]															[mm]	
CV1/2 HD	Flare	1/4"	-	-	-	0,55	-50	110	45	17	21	74	-	-	-	Art. 3.3	110	85			
CV1/3 HD		3/8"	-	-	-	1,40				21	81	-	-	-	130		85				
CV1/4 HD		1/2"	-	-	-	2,00				23	25	83	-	-	-		180	85			
CV1/5 HD		5/8"	-	-	-	3,60				27	29	99	-	-	-		290	85			
CV1/6 HD		3/4"	-	-	-	5,5				30	34	110	-	-	-		410	50			
CV2/M22 HD	Directly to the body	-	-	22	1.1/8"	-	-35	160	45	-	-	84,5	28,5	100	60	Art. 3.3	1131	12			
CV2/7 HD		-	7/8"	-	1.1/8"	-				6,6	-						-	-	-	1128	12
CV2/M28 HD		-	-	28	1.3/8"	35				8,8	-						-	-	-	1041	12
CV2/9 HD		-	1.1/8"	-	1.3/8"	35				8,8	-	-	-	-	1032	12					
CV2/11 HD		-	1.3/8"	35	1.5/8"	-				15,2	-	-	100	34	118	68	1500	15			
CV2/13 HD		-	1.5/8"	-	2"	-				25,0	-	-	125,5	37	141	88	3152	5			
CV2/M42 HD		-	-	42	2"	-				25,0	-	-	-	-	-	-	4700	4			
CV2/17 HD	-	2.1/8"	54	-	-	40,0	-	-	141	42	173	104	4700	4							
CV3/2 HD	With solder connections	-	1/4"	-	-	-	0,3	-50	110	45	-	-	-	-	Art. 3.3	115	50				
CV3/3 HD		-	3/8"	-	-	-					1,40	-	21	128		-	-	-	125	50	
CV3/M10 HD		-	-	10	-	-					2,00	-	-	-		-	-	-	182	50	
CV3/M12 HD		-	-	12	-	-					2,00	-	-	25		131	-	-	-	254	50
CV3/4 HD		-	1/2"	-	-	-					3,60	-	-	29		145	-	-	-	350	42
CV3/5 HD		-	5/8"	16	-	-					3,60	-	-	34		145	-	-	-	350	50
CV3/M18 HD		-	-	18	-	-					5,5	-	-	34		152	-	-	-	350	50
CV3/6 HD		-	3/4"	-	-	-					5,5	-	-	34		166	-	-	-	400	42
CV3/7 HD		-	7/8"	22	-	-					6,6	-	-	-		-	-	-	-	1236	15
CV4/7 HD		-	7/8"	22	-	-					6,6	-	-	-		-	170	-	60	1210	15
CV4/M28 HD		-	-	28	-	-					8,8	-	-	84,5		28,5	200	60	1211	15	
CV4/9 HD		-	1.1/8"	-	-	-					8,8	-	-	-		-	-	-	1211	15	
CV4/11 HD		-	1.3/8"	35	-	-					15,2	-	-	100		34	232	68	1740	12	
CV4/13 HD		-	1.5/8"	-	-	-					25,0	-	-	-		-	-	-	-	-	-
CV4/M42 HD		-	-	42	-	-					25,0	-	-	125,5		37	255	88	3530	1	
CV4/17 HD		-	2.1/8"	54	-	-					40,0	-	-	-		-	-	-	5250	1	
CV4/21 HD		-	2.5/8"	-	-	-					40,0	-	-	141		42	284	104	5320	1	
CV4/25 HD	-	3/1.8"	-	-	-	40,0	-	-	-	-	329	-	5960	1							

APPLICATIONS: They are designed for installation on commercial refrigerating systems and on civil and industrial conditioning plants, which use fluids of Group II, as defined in Article 9, Section 2.2 of Directive 97/23/EC, which are not toxic, not flammable and not explosive ; also the refrigerant fluids listed and classified L1 in Annex E of standard EN 378-1:2008 belong Group II. The special construction of these valves allow them to be applied in difficult conditions regarding temperature, for example on the discharge line of the compressor.

CONSTRUCTION SERIES CV1 e CV3: The body is manufactured by brass UNI EN 12164-CW614N; the welding connections are made of copper tube EN12735-1-Cu-HP; and the spring by austenitic stainless steel AISI 302 . The seat gasket is a special membrane in strengthened PTFE, in PTFE reinforced, which joins sturdiness to an excellent impermeability at the high temperatures; the impermeability between body and nipple is ensured by a reliable o-ring made of chloroprene.

CONSTRUCTION SERIES CV2 e CV4: The body and flange are manufactured by hot-forged brass EN12420-CW617N; the welding connections are made of copper tube EN12735-1-Cu-DHP;and austenitic stainless steel AISI 302 is used for the spring. The seat gasket, in special modified PTFE, ensures an excellent impermeability during retention and it prevents any leaks. Aramide fibers are used for gasket between body and flange; this material is resistant to the high temperature and it has the approval of DIN-DVGW acc. to DIN 3535, part 6 FA.