

Valvole Rotalock ODS con presa Destra / Sinistra

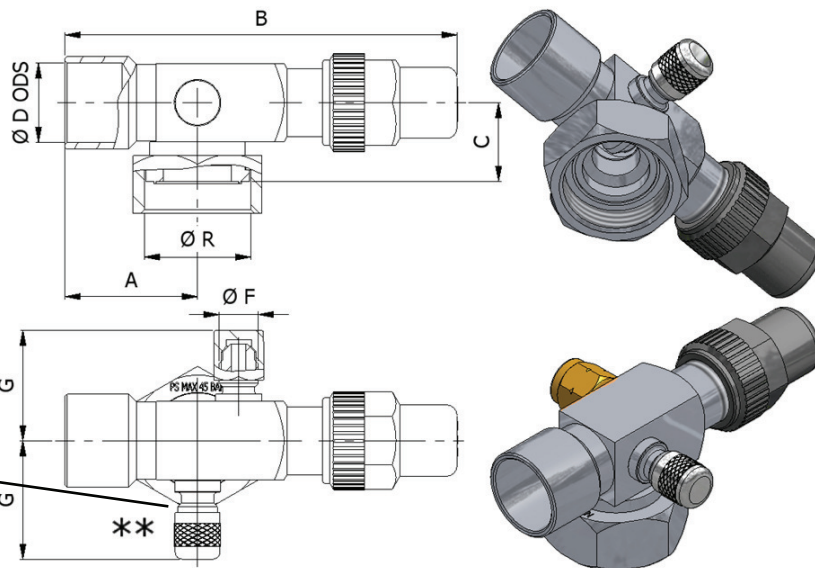


Rotalock Valves ODS with Right / Left gauge

È POSSIBILE FARE RICHIESTE SPECIALI /
SPECIAL REQUEST ARE POSSIBLE

VALVOLE FORNITE SENZA MECCANISMO SCHRADER /
VALVES SUPPLIED WITHOUT MECHANISM SCHRADER

Tappo di protezione in ottone cromato.
-SR-
Chromium-plated brass protection cap.
-SR-



	TIPO / TYPE	ATTACCO ØR CONNECTION ØR	ØD ODS (mm)	ØD ODS (inches)	ØF FLARE-SAE	A	B	C	G	□
ART.3 PAR.3	R060/FA2/D-S/SR	ROTALOCK 3/4"	6	/	1/4"	30	97	20	31	20
	R060/FA3/D-S/SR	ROTALOCK 3/4"	/	1/4"	1/4"	30	97	20	31	20
	R060/FA4/D-S/SR	ROTALOCK 3/4"	8	5/16"	1/4"	30	97	20	31	20
	R060/FA5/D-S/SR	ROTALOCK 3/4"	/	3/8"	1/4"	30	97	20	31	20
	R060/FA6/D-S/SR	ROTALOCK 3/4"	10	/	1/4"	30	97	20	31	20
	R061/FA5/D-S/SR	ROTALOCK 1 "	/	3/8"	1/4"	30	97	20	31	20
	R061/FA6/D-S/SR	ROTALOCK 1 "	10	/	1/4"	30	97	20	31	20
	R061/FA7/D-S/SR	ROTALOCK 1 "	12	/	1/4"	31	98	20	31	20
	R061/FA8/D-S/SR	ROTALOCK 1 "	/	1/2"	1/4"	31	98	20	31	20
	R061/FB2/D-S/SR	ROTALOCK 1 "	16	5/8"	1/4"	36	108	20	31	20
	R061/FB3/D-S/SR	ROTALOCK 1 "	18	/	1/4"	37	110	20	31	20
	R061/FB4/D-S/SR	ROTALOCK 1 "	/	3/4"	1/4"	37	110	20	31	20
	R062/FB2/D-S/SR	ROTALOCK 1-1/4"	16	5/8"	1/4"	37	110	22	32	22
	R062/FB3/D-S/SR	ROTALOCK 1-1/4"	18	/	1/4"	37	110	22	32	22
	R062/FB4/D-S/SR	ROTALOCK 1-1/4"	/	3/4"	1/4"	37	110	22	32	22
	R062/FS6/D-S/SR	ROTALOCK 1-1/4"	22	/	1/4"	37	110	22	32	22
	R062/FS7/D-S/SR	ROTALOCK 1-1/4"	/	7/8"	1/4"	37	110	22	32	22
	R062/FB6/D-S/SR	ROTALOCK 1-1/4"	22	/	1/4"	44	137	25	35	28
	R062/FB7/D-S/SR	ROTALOCK 1-1/4"	/	7/8"	1/4"	44	137	25	35	28
	R062/FC1/D-S/SR	ROTALOCK 1-1/4"	28	/	1/4"	48	141	25	35	28
R062/FC2/D-S/SR	ROTALOCK 1-1/4"	/	1-1/8"	1/4"	48	141	25	35	28	
CAT.1	R063/FB6/D-S/SR	ROTALOCK 1-3/4"	22	/	1/4"	44	137	26	35	28
	R063/FB7/D-S/SR	ROTALOCK 1-3/4"	/	7/8"	1/4"	44	137	26	35	28
	R063/FC1/D-S/SR	ROTALOCK 1-3/4"	28	/	1/4"	59	181	31	38	35
	R063/FC2/D-S/SR	ROTALOCK 1-3/4"	/	1-1/8"	1/4"	59	181	31	38	35
	R063/FC8/D-S/SR	ROTALOCK 1-3/4"	35	1-3/8"	1/4"	59	181	31	38	35
	R063/FD1/D-S/SR	ROTALOCK 1-3/4"	/	1-5/8"	1/4"	63	185	31	38	35
	R063/FD2/D-S/SR	ROTALOCK 1-3/4"	42	/	1/4"	62	184	31	38	35
	R064/FD1/D-S/SR	ROTALOCK 1-3/4"	/	1-5/8"	1/4"	66	189	33	41	40
	R064/FD2/D-S/SR	ROTALOCK 1-3/4"	42	/	1/4"	66	189	33	41	40
	R065/FT8/D-S/SR	ROTALOCK 2-1/4"	35	1-3/8"	1/4"	61	184	36	41	40
	R065/FU1/D-S/SR	ROTALOCK 2-1/4"	/	1-5/8"	1/4"	66	189	36	41	40
	R065/FU2/D-S/SR	ROTALOCK 2-1/4"	42	/	1/4"	66	189	36	41	40
	R065/FC8/D-S/SR	ROTALOCK 2-1/4"	35	1-3/8"	1/4"	85	201	39	46	50
	R065/FD1/D-S/SR	ROTALOCK 2-1/4"	/	1-5/8"	1/4"	85	201	39	46	50
	R065/FD2/D-S/SR	ROTALOCK 2-1/4"	42	/	1/4"	85	201	39	46	50
R065/FD7/D-S/SR	ROTALOCK 2-1/4"	54	2-1/8"	1/4"	80	209	39	46	50	

**Attacco di carica 1/4"Flare/Sae con filettatura interna per valvola Schrader,non escludibile in retrochiusura.

**Charging connection 1/4"Flare/Sae with internal threaded for valve Schrader, it isn't possible to exclude when back seated

Applicazioni per refrigerazione e aria condizionata / Application for refrigeration and air conditioning

Prodotti secondo - Direttiva PED 97/23/CE. / Products according to - EC/97/23 Directive PED.

Trattamento antiossidante di Nichelatura / Anti-oxidatio Nickel treatment.

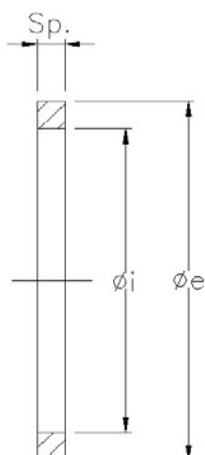
**Guarnizioni in PTFE per attacchi
Rotalock e tappi di chiusura
con guarnizione**



***PTFE gaskets for Rotalock connection
and closed plugs with gasket***

E' possibile su richiesta
acquistare valvole com-
plete di guarnizione
PTFE

*It is possible on request
purchase valves complete
with the PTFE gasket*



TIPO / TYPE	PER ATTACCO ROTO-LOCK / FOR CONNECTION	Sp.	Øi	Øe
G000/R1	ROVALOCK 3/4"-16UNF	1,5	11	14,3
G000/R2	ROVALOCK 1"-14UNS	1,5	15,8	19,1
G000/R3	ROVALOCK 1-1/4"-12UNF	1,5	22,1	25,4
G000/R4	ROVALOCK 1-3/4"-12UN	1,5	34,8	38,1
G000/R5	ROVALOCK 2-1/4"-12UN	1,5	46,95	50,9