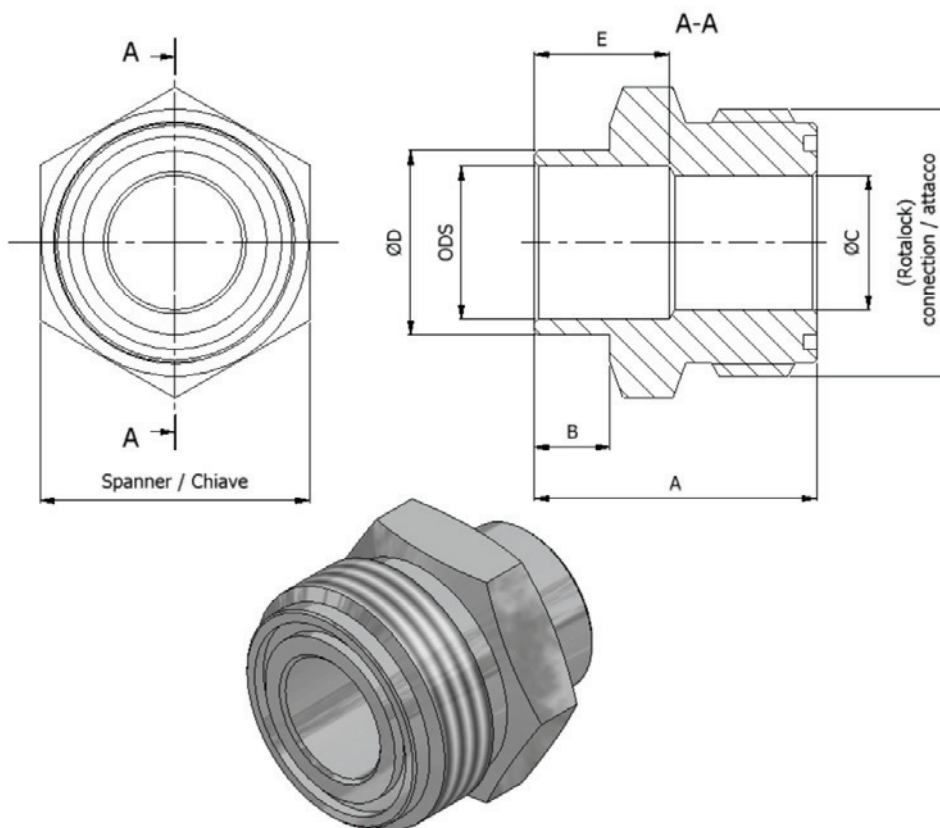


# Raccordi esagonali a saldare Rotalock con tubo ODS



*Welding connection  
with tightening nut for Rotalock*



TIPO / TYPE	ATTACCO CONNECTION	ODS (mm)	ODS (inches)	A	B	ØC	ØD	E	CHIAVE SPANNER
RS000/R2/FA6	ROOTALOCK 1"	10	-	26	6	9	14	12	26
RS001/R2/FA7	ROOTALOCK 1"	12	-	26	6	10	16	12	26
RS002/R2/FA8	ROOTALOCK 1"	-	1/2"	26	6	10	16	12	26
RS003/R2/FB2	ROOTALOCK 1"	16	5/8"	26	6	13	20	12	26
RS004/R2/FB3	ROOTALOCK 1"	18	-	26	6	13	22	12	26
RS005/R2/FB4	ROOTALOCK 1"	-	3/4"	26	6	13	23	12	26
RS006/R3/FB3	ROOTALOCK 1-1/4"	18	-	33.5	8	16	22	16	32
RS007/R3/FB4	ROOTALOCK 1-1/4"	-	3/4"	33.5	8	16	23	16	32
RS008/R3/FB6	ROOTALOCK 1-1/4"	22	-	33.5	8	19	26	14	32
RS009/R3/FB7	ROOTALOCK 1-1/4"	-	7/8"	33.5	8	19	26	14	32
RS010/R3/FC1	ROOTALOCK 1-1/4"	28	/	33.5	8	19	31.5	14	32
RS011/R4/FB7	ROOTALOCK 1-3/4"	-	7/8"	33.5	8	21	27	20	46
RS012/R4/FC1	ROOTALOCK 1-3/4"	28	-	33.5	8	26	33	20	46
RS013/R4/FC2	ROOTALOCK 1-3/4"	-	1-1/8"	33.5	8	26	34	20	46
RS014/R4/FC8	ROOTALOCK 1-3/4"	35	1-3/8"	33.5	8	31	40	20	46
RS015/R4/FD2	ROOTALOCK 1-3/4"	42	-	40	8	31	47	20	50
RS016/R5/FD1	ROOTALOCK 2-1/4"	-	1-5/8"	50	15	40	47	20	65
RS017/R5/FD2	ROOTALOCK 2-1/4"	42	-	50	15	41	47	20	65
RS018/R5/FD7	ROOTALOCK 2-1/4"	54	2-1/8"	50	15	41	59	20	65

Applicazioni per refrigerazione e aria condizionata / *Application for refrigeration and air conditioning*

Prodotti secondo - Direttiva PED 97/23/CE. / *Products according to - EC/97/23 Directive PED.*

**Trattamento antiossidante di Nichelatura / *Anti-oxidatio Nickel treatment.***