



heat exchanger  
mastery



## OPEN COOLING TANK

### TECHNICAL SPECIFICATIONS

#### MANUFACTURE:

- Inner tank and outer casing made of AISI 304 stainless steel.
- Total primary surface Trapcold (registered trademark) evaporator with maximum yield.
- Very thick insulation by means of non-polluting polyurethane foam.
- Inner trap for emptying.
- DN50 threaded outlet connector with plug.
- Millimeter stainless steel dip-stick for the measurement of milk-level

#### COOLING SYSTEM:

- Non-icing cooling even with low filling level.
- Direct expansion.
- R404A refrigerating fluid for all models.
- Stainless steel cover.
- The models of this range are compact and allow a space-saving installation.

#### ELECTRIC SYSTEM:

- Computerised FIPO 0 milk-controller system for the management of all the operations:
  - milk temperature check
  - digital temperature display
  - stirring program.
- Electrical feeding cables with standardised plug (male).
- 230V 50HZ single-phase feeding.

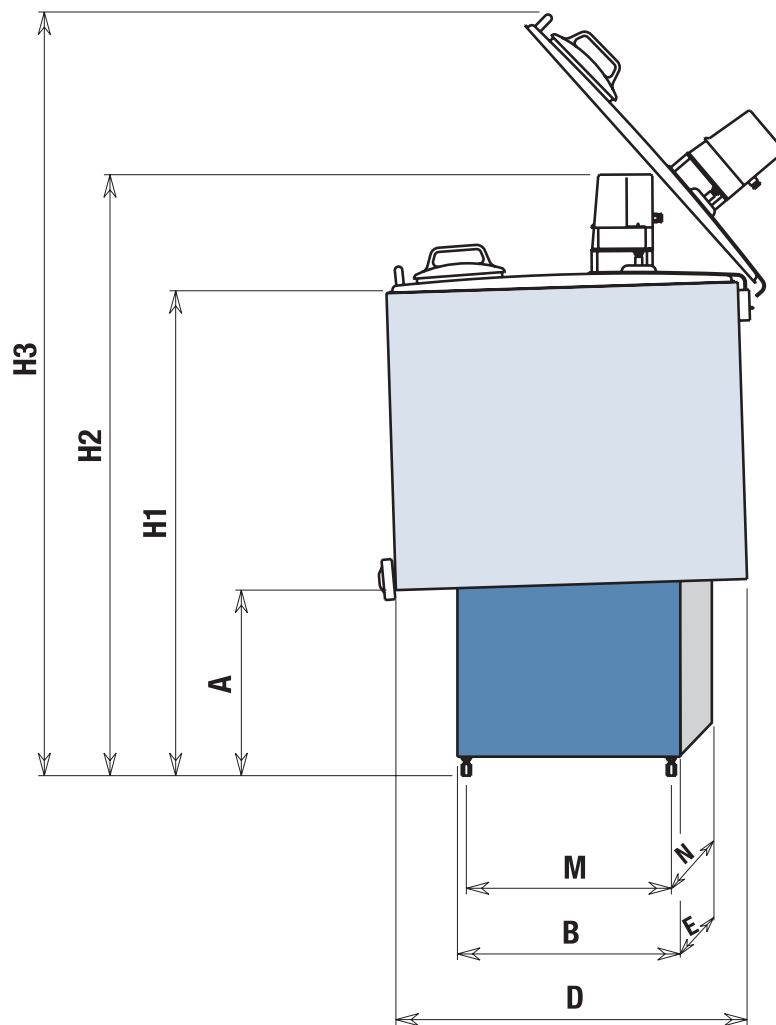
#### BY REQUEST:

- Butterfly valve.
- Stainless steel elbow.



# FRIGOMILK G1

state of the art milk-cooling



CAPACITY	MILKINGS	VOLUME (litres)		DIMENSIONS				ADJUSTABLE FEET POSITIONING MxN (mm)	CONDENSING UNIT			WEIGHT (kg)
		Max	Nominal	D (mm)	H1 (mm)	H2 (mm)	H3 (mm)		A (mm)	B x E (mm)	Compr. HP	
100	2M	105	100	580	885	1110	1500	344x332	315	380x370	0,33	53
200	4M	212	200	750	1030	1180	1800	457x437	390	480x500	0,33	72
	2M										0,5	
300	4M	312	300	923	1120	1410	2000	556x558	405	600x600	0,5	102
	2M										1	

Any specification may be modified without notice. Rev. n. 3

CAPACITY
  2 MILKINGS
  4 MILKINGS
  SINGLE-PHASE 1.230

   upon request

How to order a G1 Frigomilk with abbreviations.

Example:  200     2M     M

capacity      milkings      single-phase

**FRIGOMILK G1**



**FIC s.p.a.**





heat exchanger  
mastery



## OPEN COOLING TANK

### TECHNICAL SPECIFICATIONS

#### MANUFACTURE:

- Inner tank and outer casing made of AISI 304 stainless steel.
- Total primary surface Trapcold (registered trademark) evaporator with maximum yield.
- Very thick insulation by means of non-polluting polyurethane foam.
- Inner trap for emptying.
- DN50 threaded outlet connector with plug.
- AISI 304 stainless steel arm.
- Millimeter stainless steel dip-stick with conversion-table in litres for the measurement of milk-level.

#### COOLING SYSTEM:

- Non-icing cooling even with low filling level.
- Direct expansion.
- R404A refrigerating fluid for all models.
- Stainless steel cover.
- The models of this range are compact and allow an easy installation.
- It complies with EN 13732 class BII.

#### ELECTRIC SYSTEM:

- Computerised FIPO 3 milk-controller system for the management of all operations:
  - milk temperature check
  - digital temperature display
  - stirring program
- Temperature relay protection for the threephase compressors as well as compressors inner protection.
- Electrical feeding cables with standardised plug (male).
- 230V 50HZ single-phase feeding or 400V three-phase feeding 50HZ + neutral.

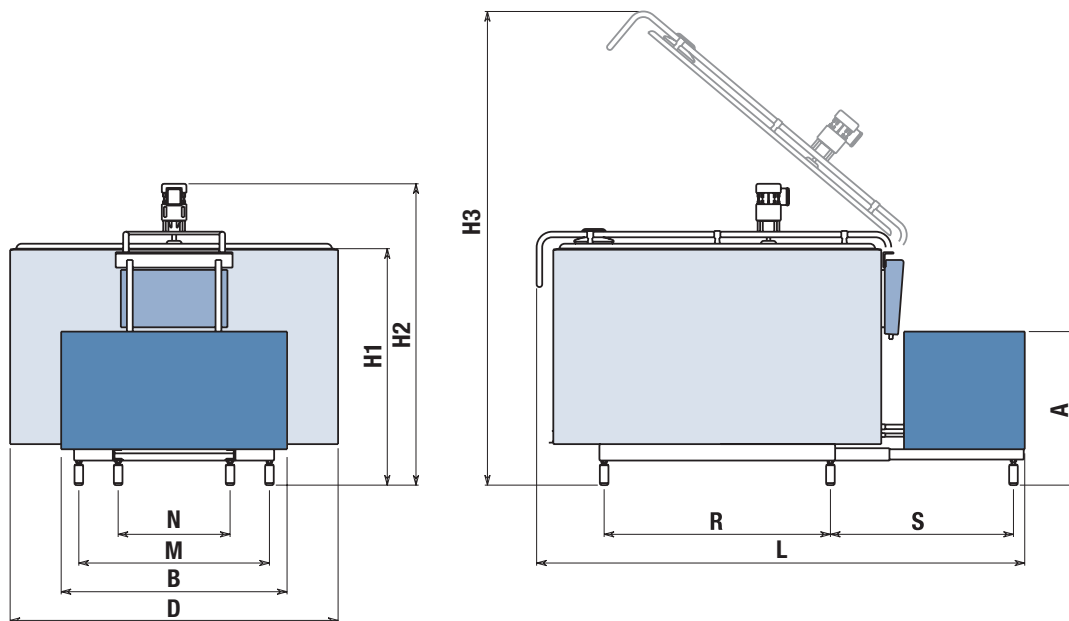
#### BY REQUEST:

- Butterfly valve.
- Stainless steel elbow



# FRIGOMILK G4

state of the art milk-cooling



CAPACITY	MILKINGS	VOLTAGE (volt)	VOLUME (litres)		DIMENSIONS					ADJUSTABLE FEET POSITIONING				CONDENSING UNIT			WEIGHT (kg)	
			Max	Nominal	L (mm)	D (mm)	H1 (mm)	H2 (mm)	H3 (mm)	M (mm)	N (mm)	R (mm)	S (mm)	A (mm)	B (mm)	Compr. HP		
430	4M		470	430	1960	1218	895	1125	2150	700	830	850	570	630	0,5	173		
	2M															910	1,2	192
550	4M		573	550	1950	1010	1240	2250	820	540	950	850	570	630	1	182		
	2M															910	1,5	195
650	4M		690	650	2270	1390	970	1300	2420	820	540	950	720	750	1200	2,3	3	257
	2M																	2040
800	4M		880	800	2160	1145	1460	2600	930	1104	750	910	910	750	1200	2,3	3	264
	2M																	2040
1000	4M		1088	1000	2380	1165	1480	2800	930	1104	750	910	910	750	1200	2,3	3	325
	2M																	900
1200	4M		1330	1200	2250	1600	1260	1575	2900	930	1104	750	850	1340	4	358	318	
	2M																750	1200
1390	4M		1468	1390	1415	1730	3200	3200	930	1104	750	850	1340	5	433	358		
	2M															750	1200	3
1600	4M		1638	1600	1495	1765	3280	3280	930	1104	750	850	1340	5	447	350		
	2M															750	1200	3,5
1880	4M		1916	1880	2086	2000	2000	2000	930	1104	750	850	1340	5	447	390		
	2M															850	1340	5
2000	4M		2086	2000	2086	2000	2000	2000	930	1104	750	850	1340	5	447	447		
	2M															850	1340	5

CAPACITY
  2 MILKINGS
  4 MILKINGS
  THREE-PHASE 3.400 V
  SINGLE-PHASE 1.230 V
 Other models upon request

upon request

How to order a G4 Frigomilk with abbreviations.

Example:  550  2M  M

capacity
  milkings
  single-phase

# FRIGOMILK G4



FIC s.p.a.



Any specification may be modified without notice. Rev. n. 5



heat exchanger  
mastery

FRIGOMILK G9 from 2.000 lt to 30.000 lt

## COOLING TANK WITH AUTOMATIC WASHING

### TECHNICAL SPECIFICATIONS

#### MANUFACTURE:

- Inner tank and outer casing made of AISI 304 stainless steel.
- Total primary surface Trapcold (registered trademark) evaporator with maximum yield.
- Inspection hatchway with AISI 304 airtight cover.
- Very thick insulation by means of non-polluting polyurethane foam.
- Outlet butterfly valve.
- Millimeter stainless steel dip-stick with conversion-table in litres for the measurement of milk-level.

#### COOLING SYSTEM:

- Non-icing cooling even with low filling level.
- Direct expansion.
- R404A refrigerating fluid for all models.
- It complies with EN 13732.

#### WASHING:

- Automatic washing Ramset type controlled by FIPO 1 milk-controller with the following characteristics:
- low water and detergent consumption
- efficient washing system by means of rotating speaker construction Fic high efficiency
- dosing pumps
- washing water volume control system highly effective rotating spray balls developed in-house
- automatic selection of the detergent and acid

#### ELECTRIC SYSTEM:

- Computerised FIPO 1 milk-controller system for the management of all the operations:
- milk temperature check
- digital temperature display
- stirring program
- programmed start-up of the cooling system
- automatic washing program
- ample flexibility of operations.
- Temperature relay protection for the compressors as well as compressors inner protection.
- Thermal power relay for three-phase agitators.
- Thermal safeguard for washing pump.
- Magnetothermic switch.
- 400V three-phase feeding 50HZ + neutral.
- 24V feeding for control apparatus and solenoid control.

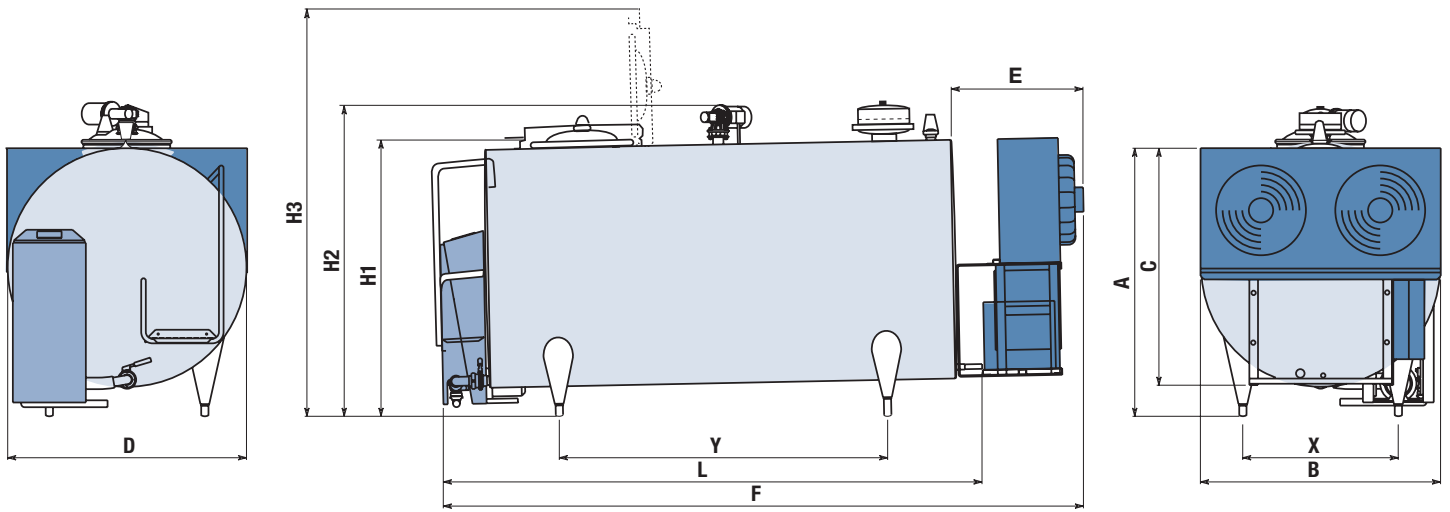
#### OPTIONALS:

- Electronic milk measurement.
- Milking robot prearrangement.
- Event recording system for PC.
- Washing resistance to heat up water during washing process.
- Self-cleaning outlet.



FRIGOMILK G9

state of the art milk-cooling



H1 = Max height with agitator, manhole and air vent disassembled (pipe for vent)  
H2 = Max height with agitator  
H3 = Max height with open manhole

CAPACITY	MILKINGS	VOLUME		DIMENSIONS					ADJUSTABLE FEET POSITIONING			CONDENSING UNIT						HP	WEIGHT		
		(litres)		L	D	H1	H2	H3	Nr	X	Y	type	Nr	A	B	C	E		F	tank and unit	
		Max	Nominal																	(mm)	(mm)
2000	4M	2200	2000	2430	1415	~1675	~1860	~2315	4	900	1250	1	1400	1390	1230	650	2860	1x3	515		
	2M												1600		1460			1x5	555		
2500	4M	2770	2500	2970	1415	~1675	~1860	~2315	4	900	1780	1	1500	1390	1230	650	3400	1x3,5	580		
	2M												1700		1460			1x6,5	620		
3000	4M	3210	3000	3250	1415	~1675	~1860	~2315	4	900	1900	1	1460	1390	1230	650	3680	1x4	660		
	2M												1700		1460			1x8	715		
4000	4M	4300	4000	2925	1730	~2000	~2215	~2630	4	900	1530	1	1500	1720	1460	750	3455	1x5	725		
	2M												1700		1460			1x10	810		
5000	4M	5355	5000	3655	1730	~2000	~2215	~2630	6	1120	2080	1	-	1500	920	950	-	1x6,5	650	165	
	2M												-	1830	950	1150	-	1x13	295		
6000	4M	6315	6000	4155	1730	~2000	~2215	~2630	6	1120	1290	1	-	1500	920	950	-	1x8	780	194	
	2M												2	-	1500	920	950	-	2x8	388	
8000	4M	8190	8000	5120	1730	~2000	~2215	~2630	8	1190	1190	1	-	1830	950	1150	-	1x10	935	265	
	2M												2	-	1830	950	1150	-	2x10	530	
10000	4M	11110	10000	5030	2045	~2335	~2530	~2940	8	1340	1130	1	-	1830	950	1150	-	1x13	1300	295	
	2M												2	-	1830	950	1150	-	2x13	590	
12000	4M	12710	12000	5530	2045	~2335	~2530	~2940	8	1340	980	2	-	1500	920	950	-	2x8	1440	388	
	2M												-	2180	1170	1170	-	2x15	780		
14000	4M	14680	14000	5170	2280	~2570	~2790	~3180	10	1520	890	2	-	1830	950	1150	-	2x10	1640	530	
	2M												2	-	1830	950	1150	-	2x13	1770	590
16000	4M	16560	16000	5710	2280	~2570	~2790	~3180	10	1520	1020	*	*	*	*	*	-	*	2070	*	
	2M												*	*	*	*	*	-	*	*	
18000	4M	18650	18000	6310	2280	~2570	~2790	~3180	10	1520	925	*	*	*	*	*	-	*	2220	*	
	2M												*	*	*	*	*	-	*	*	
20000	4M	20750	20000	7000	2500	~2810	~3090	~3400	12	1650	1050	*	*	*	*	*	-	*	2750	*	
	2M												*	*	*	*	*	-	*	*	
24000	4M	24650	24000	7050	2500	~2810	~3090	~3400	12	1650	964	*	*	*	*	*	-	*	3600	*	
	2M												*	*	*	*	*	-	*	*	
30000	4M	30830	30000	8580	2500	~2810	~3090	~3400	16	1650	964	*	*	*	*	*	-	*	3600	*	
	2M												*	*	*	*	*	-	*	*	

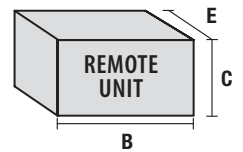
Any specification may be modified without notice. Rev. 7

CAPACITY
 2 MILKINGS
 4 MILKINGS
 THREE-PHASE 3.400

How to order a G9 Frigomilk with abbreviations.

Example:  2000  2M  T

capacity
 milkings
 three-phase



FIC s.p.a.



FRIGOMILK G9

\* upon request



heat exchanger  
mastery



## COOLING TANK WITH AUTOMATIC WASHING

### TECHNICAL SPECIFICATIONS

#### MANUFACTURE:

- Inner tank and outer casing made of AISI 304 stainless steel.
- Total primary surface Trapcold (registered trademark) evaporator with maximum yield.
- Inspection hatchway with AISI 304 airtight cover.
- Very thick insulation by means of non-polluting polyurethane foam.
- DN50 outlet butterfly valve.
- Millimeter stainless steel dip-stick with conversion-table in litres for the measurement of milk-level.

#### COOLING SYSTEM:

- Non-icing cooling even with low filling level.
- Direct expansion.
- R404A refrigerating fluid for all models.
- The models of this range are compact and allow an easy installation.
- It complies with 13732.

#### WASHING:

- Automatic washing Ramset type controlled by FIPO 1 milk-controller with the following characteristics:
- low water and detergent consumption
- spray ball
- dosing pumps
- automatic selection of the detergent and acid

#### ELECTRIC SYSTEM:

- Computerised FIPO 1 milk-controller system for the management of all operations:
- milk temperature check
- digital temperature display
- stirring program
- programmable start-up of the cooling system
- automatic washing program
- ample flexibility of operations.
- Temperature relay protection for the compressors as well as compressor inner protection.
- Thermal power relay for three-phase agitators.
- Thermal safeguard for washing pump.
- 400V three-phase feeding 50HZ + neutral.
- 24V feeding for control apparatus and solenoid control.

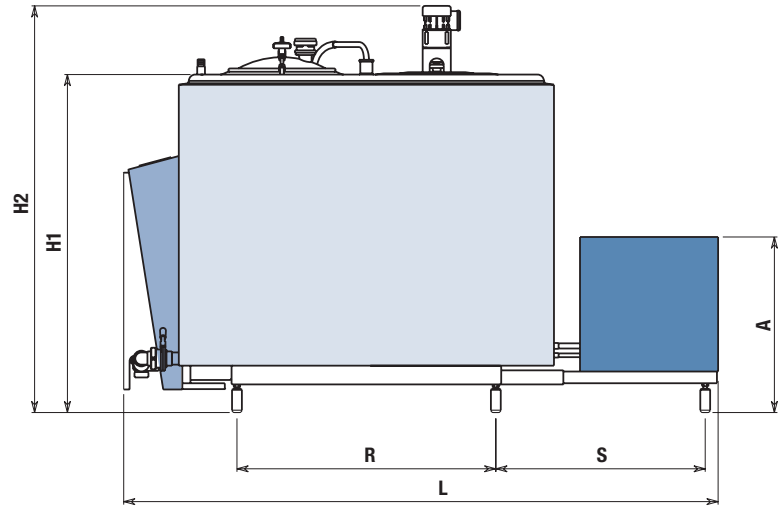
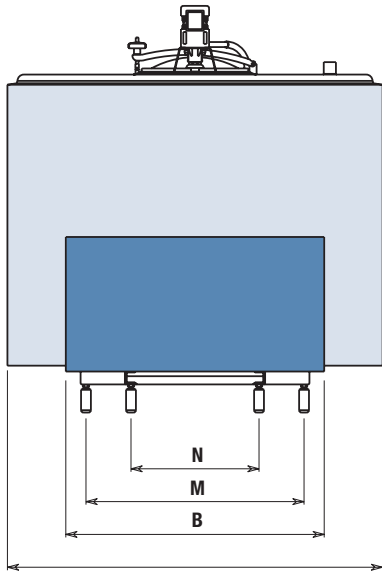
#### OPTIONALS

- electronic milk measurement
- milking robot prearrangement
- event recording system for PC
- washing resistance to heat up water during washing processing
- self-cleaning outlet



# FRIGOMILK G10

state of the art milk-cooling



CAPACITY	MILKINGS	VOLTAGE	VOLUME (litres)		DIMENSIONS				ADJUSTABLE FEET POSITIONING				CONDENSING UNIT			WEIGHT • (kg)
			Max	Nominale	L (mm)	D (mm)	H1 (mm)	H2 (mm)	M (mm)	N (mm)	R (mm)	S (mm)	A (mm)	B (mm)	Compr. HP	
1000	4M		1110	1000	2400	1390	1170	1480	820		950	880	710	900	2,3	320
	2M											900	710	900	3	340
1200	4M		1330	1200	2550	1600	1190	1490	930	540	1104	1000	800	1110	3,5	380
	2M											900	710	900	2,3	360
1390	4M		1530	1390	2550	1600	1285	1600	930	540	1104	900	710	900	2,3	380
	2M											1000	800	1110	4	400
1600	4M		1700	1600	2650	1600	1440	1750	930	540	1104	900	710	900	2,3	400
	2M											1000	800	1110	4	420
1880	4M		1980	1880	2550	1600	1690	1950	930	540	1104	900	710	900	3	430
	2M											960	890	1280	5	520
2300	4M		2430	2300	2720	1600	1690	1950	930	540	1104	1000	650	1110	3,5	480
	2M*											-	910	1500	6,5	420 •
2600	4M		2680	2600	2720	1600	1830	2100	930	540	1104	1000	800	1110	4	510
	2M*											-	910	1500	8,5	440 •

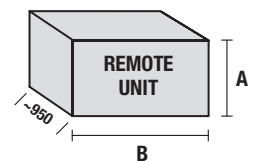
Any specification may be modified without notice. Rev. n.3

  CAPACITY    
   2 MILKINGS    
   4 MILKINGS    
   THREE-PHASE 3.400

  upon request

\* Unit remote to vessel.

• For models 2300 and 2600 litres please add respectively 170 and 200 kg for the condensing unit.



How to order a G10 Frigomilk with abbreviations

Example: 1000 4M T  
 capacity     milkings     three-phase

FRIGOMILK G10



FIC s.p.a.

