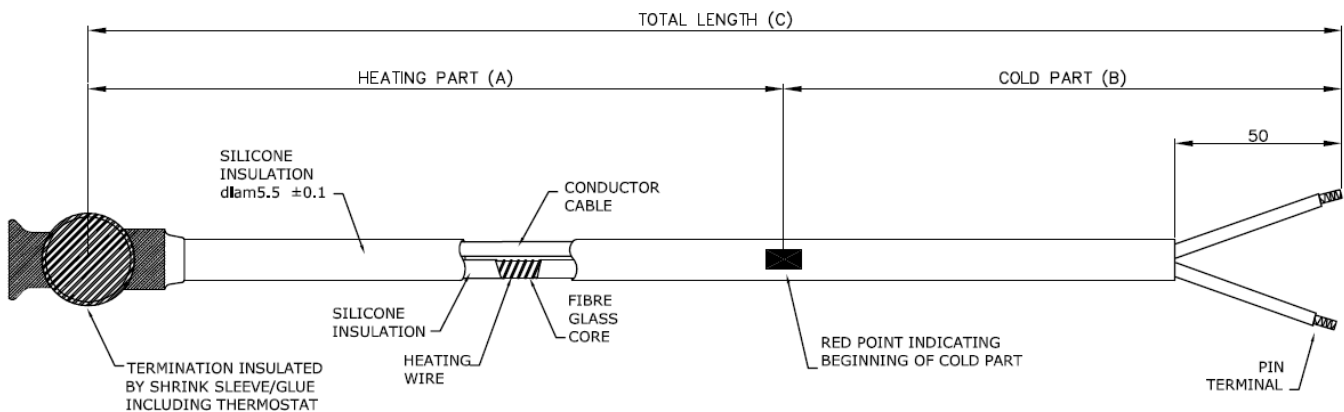


DRAIN LINE HEATERS WITH THERMOSTAT - CNFx

Calorflex Drain Line Heaters CNFx are designed for the frost protection of pipes and to prevent freezing on refrigeration equipment and hydraulic networks.

They are completely waterproof, extremely flexible and functional thanks to the specific characteristics of their constituent materials and their particular construction technology. The integrated thermostat makes them fully automatic switching on the heater when the temperature falls under +5°C. The round part of the thermostat (sensor side) must be placed in the best position to collect right information so that the cable can operate as required. CNFx heaters are series resistor so these heating cables must never be cut to shorten length.

STRUCTURAL SKETCH**GENERAL CHARACTERISTICS**

- Input voltage: 230V as standard, other options available upon request.
- Standard power, dimensions and length as indicate in the table. Other models are available upon request.
- Insulation: Silicone diameter 5,5 ± 0,1mm (excluding sensor zone)
- Permissible surface temperature: - 40°C / +130°C
- Tolerances on power: +/- 10%
- Tolerances on length: +/- 1%
- End insulation: Heat shrink sleeve with adhesive
- Thermostat operating temperature: Open 15 ± 3 °C –Close 5 ± 4 °C

Power (Watt)		Length (meters)		
CNF 40W/m	CNF 50W/m	Heating part (A)	Cold part (B)	Total length (C)
40	50	1	1	2
60	75	1,5	1	2,5
80	100	2	1	3
100	125	2,5	1	3,5
120	150	3	1	4
160	200	4	1	5
200	250	5	1	6

PROVISIONS AND REFERENCE HOMOLOGATIONS

- Design, manufacture and testing in compliance with harmonized standards EN 60335
- In compliance with 2006/95 EEC DIRECTIVE
- CE declaration of conformity on all items

GENERAL TESTS AND PACKING

All Calorflex heating cables are singularly electrically tested before being delivered to the customer using a special packing designed to guarantee the integrity and safety of the material during the handling, transport and storage.